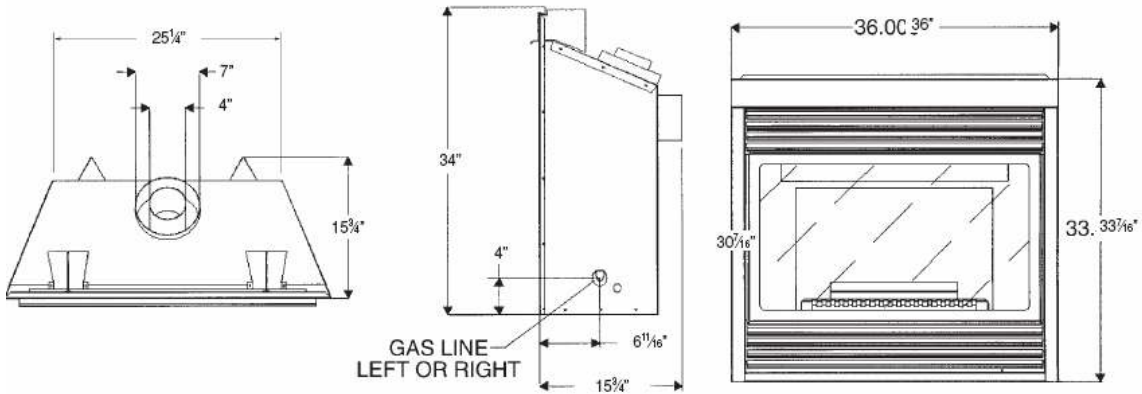
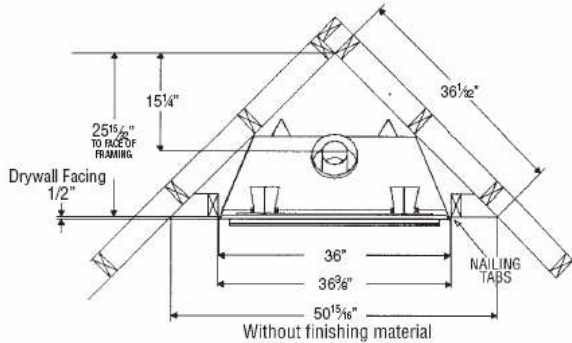
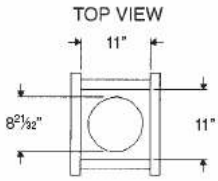
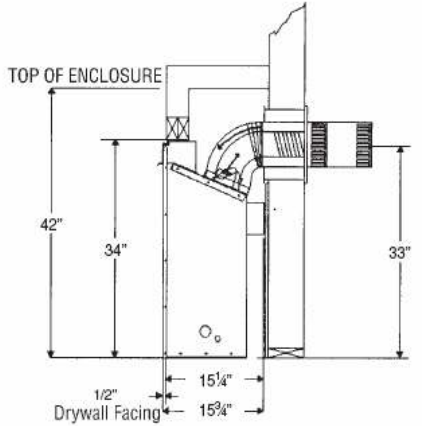
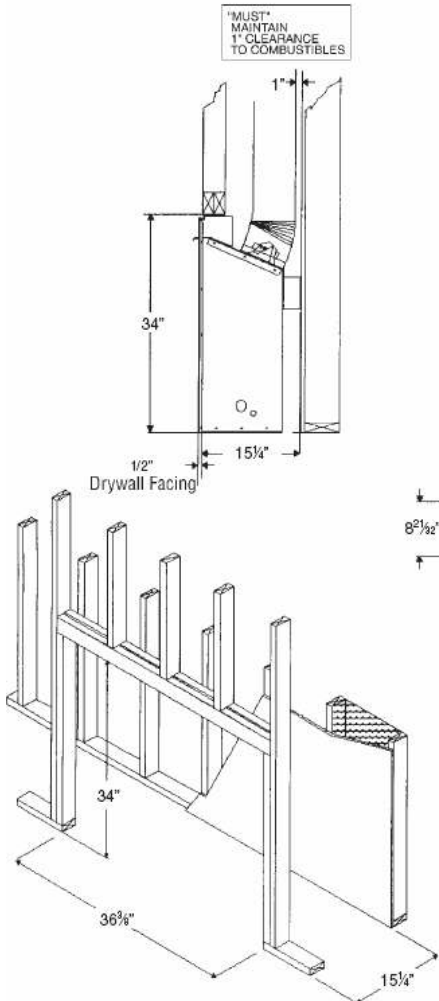


# Framing for your Gas Fireplace ZDV3622



GAS LINE  
LEFT OR RIGHT

It is recommended for Propane Horizontal Installations that the venting should be a minimum of one foot vertical off the flue before the elbow on any horizontal runs of one foot or greater. This allows for cleaner combustion and greatly reduces carboning and cleaning of glass.



Without finishing material