

# KOZY HEAT – MINNETONKA

**IMPORTANT:** Framing dimensions should allow for wall covering thickness and fireplace facing materials. Adjust rough opening size as necessary to maintain at least the minimum clearance requirements.

**MINIMUM FINISHED OPENING DIMENSIONS (Wall covering / facing materials included):**

### HORIZONTAL TERMINATIONS:

44 1/2" high x 41 3/8" wide x 21 7/8" deep\*

\*1/2" clearance at the back & sides of the fireplace must be maintained for horizontal terminations. See Figure 3A, page #5.

### VERTICAL TERMINATIONS:

44 1/2" high x 41 3/8" wide x 23 7/8" deep\*

\*2 1/8" clearance at the back to maintain required vent system clearance and 1/2" at the sides of the fireplace must be maintained for vertical terminations. See Figure 3B, page #5.

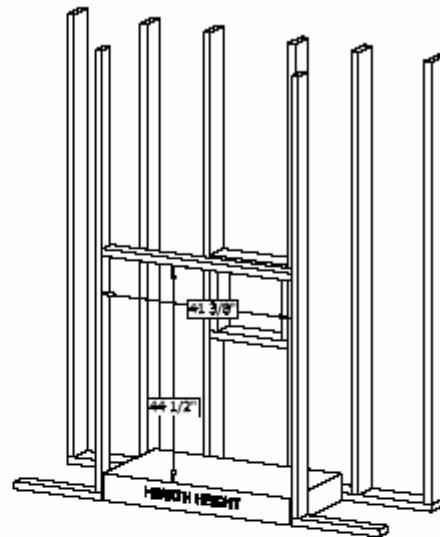


FIGURE 7B

FIGURE 7C

